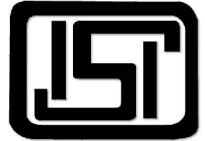


CAT. No.

63101X15FT

INDIA 10 AMPERE 250 VOLT POWER CORD, IS 1293:2019 TYPE M (IN1-16P) PLUG, IEC 60320 C-13 CONNECTOR, 2 POLE-3 WIRE GROUNDING (2P+E), 4.6 METERS (15 FEET) (180") LONG. BLACK.

APPROVALS	BIS (BUREAU OF INDIA STANDARDS) <input checked="" type="checkbox"/> ISI MARK <input checked="" type="checkbox"/>
CERTIFICATIONS	REACH <input checked="" type="checkbox"/> ROHS <input checked="" type="checkbox"/> ROHS3 <input checked="" type="checkbox"/> IS 1293:2019 <input checked="" type="checkbox"/> IS694 <input checked="" type="checkbox"/> IEC 60320 <input checked="" type="checkbox"/>
STANDARDS	IS 1293:2019 (PLUG) <input checked="" type="checkbox"/> IS694 (CORD) <input checked="" type="checkbox"/> IEC 60320 (CONNECTOR) <input checked="" type="checkbox"/>



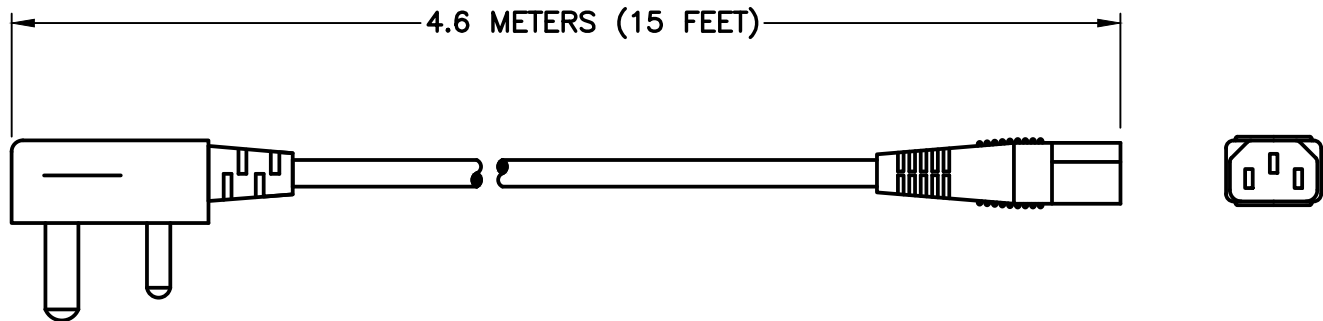
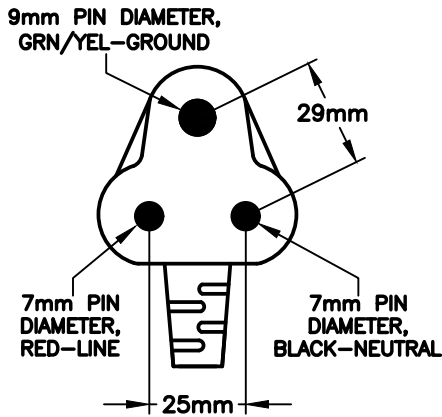
SPECIFICATIONS:

1. OVERALL LENGTH: 4.6 METERS (15 FEET)
2. CONDUCTORS: 1.0 mm x 3
3. JACKET: BLACK (YY 3C 1.0mm² CIRCULAR 1100V IS 694)
4. PLUG: IS 1293:2019, IN1-16P, DOWN ANGLE, BLACK
5. CONNECTOR: IEC 60320 C-13, STRAIGHT, BLACK
6. RATED: 10 AMPERE 250 VOLT

RELATED PRODUCTS:

CATALOG No	DESCRIPTION
63101	2.5 METERS
63101X10FT	3.05 METERS
63101X15FT	4.6 METERS
63101-RA	2.5 METERS, RIGHT ANGLE
63101-LA	2.5 METERS, LEFT ANGLE
63101-LK	2.5 METERS, LOCKING CONNECTOR

PLUG DIMENSIONS



IEC 60320 C-13

**IS 1293
(IN1-16P)**